

DIMENSIONS

FEATURES & BENEFITS

- High performance 2 Deck Screener - 9' x 4' Top Deck (Screening Area)
- Extended Screen box with loading area on Top Deck
- Quality screened material produced as a result of the extra long screening area
- Oversize, Mid-Grade & Fines Conveyors with excellent stockpiling capacities
- Full on board Diesel Powerpack with Quality Hydraulics
- Tracked Undercarriage with Dog Lead Control
- Designed for a wide range of materials and aggregates
- Different size screening media available
- Easily manoeuvred on site with minimal setup time
- Fits easily into shipping containers

HERBST S72 SCREENER	
Unladen Weight (Kg)	9,040
Transport Length (mm)	8,000
Transport Width (mm)	2,200
Transport Height (mm)	2,700
Top Deck Loading Area (mm)	2200 x 1200
Loading Height (mm)	2,700
Top Deck Screen Area (mm)	2865 x 1200
Bottom Deck Screen Area (mm)	2430 x 1200
Stockpile Heights (mm)	2,200 / 2,500

NEW



Product Leaflet



Screeners
S72



HERBST MACHINERY LTD

120 Drumnakilly Road,
Omagh, Co. Tyrone, N. Ireland. BT79 0JT

Tel: +44 (0)28 8077 1568

Mobile: +44 (0)79000 80380

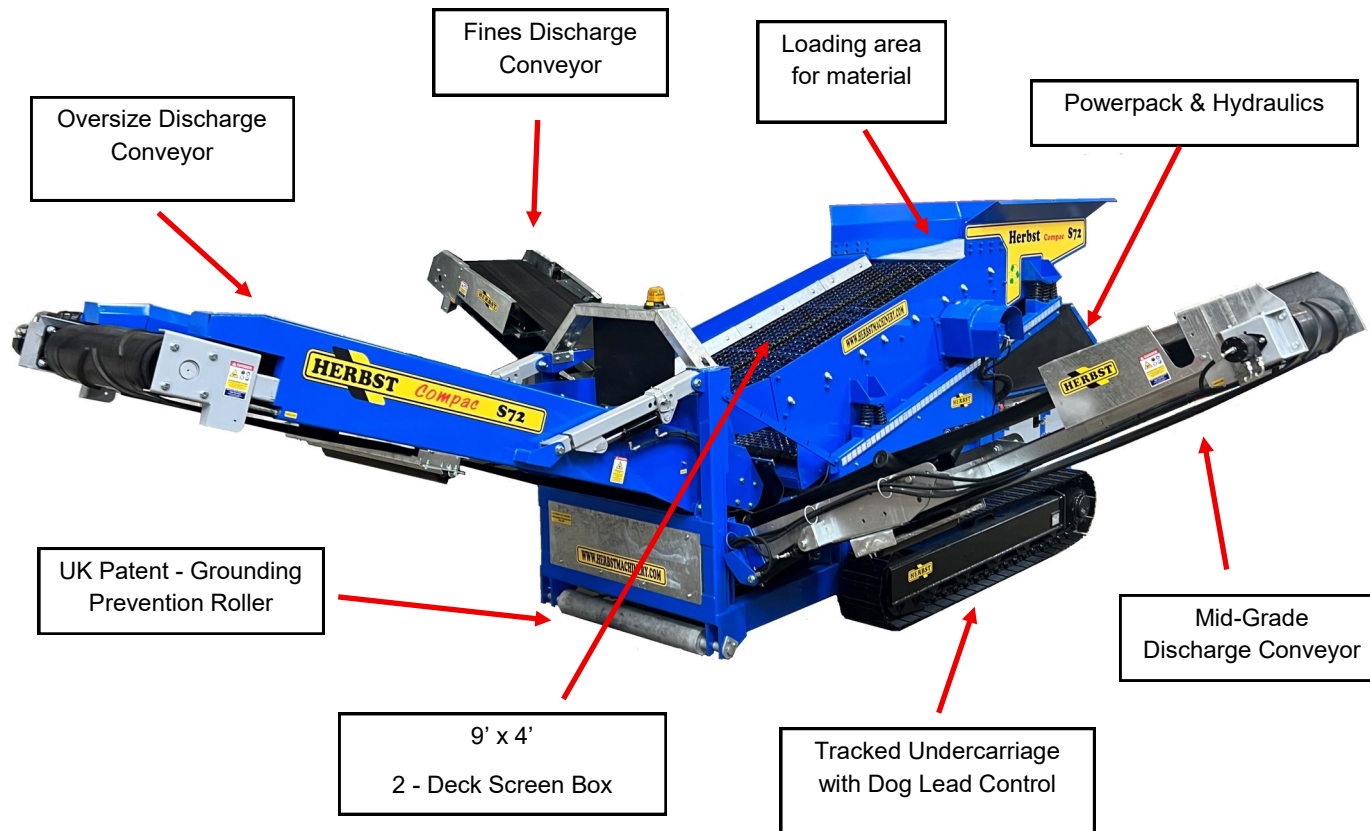
General: info@herbst.co.uk

Sales: ashley@herbst.co.uk



Available Worldwide

Contact us for Nearest Agent



The S72 Tracked Screener, the latest edition to the range of screeners on offer. The S72 has been designed with a larger screening area. Material is loaded directly onto the loading area of the top deck and makes its way over the 2.90m x 1.20m screen deck. The bottom deck screening area is 2.45m x 1.20m producing more screening time for material, resulting in better quality end products and improving throughput on the machine. The three conveyors produce good stockpiling capacities. This machine is built on tracked undercarriage allowing the machine to be easily manoeuvred on site. The simple power unit and hydraulics, results in easy maintenance, operating and servicing.

www.herbstmachinery.com